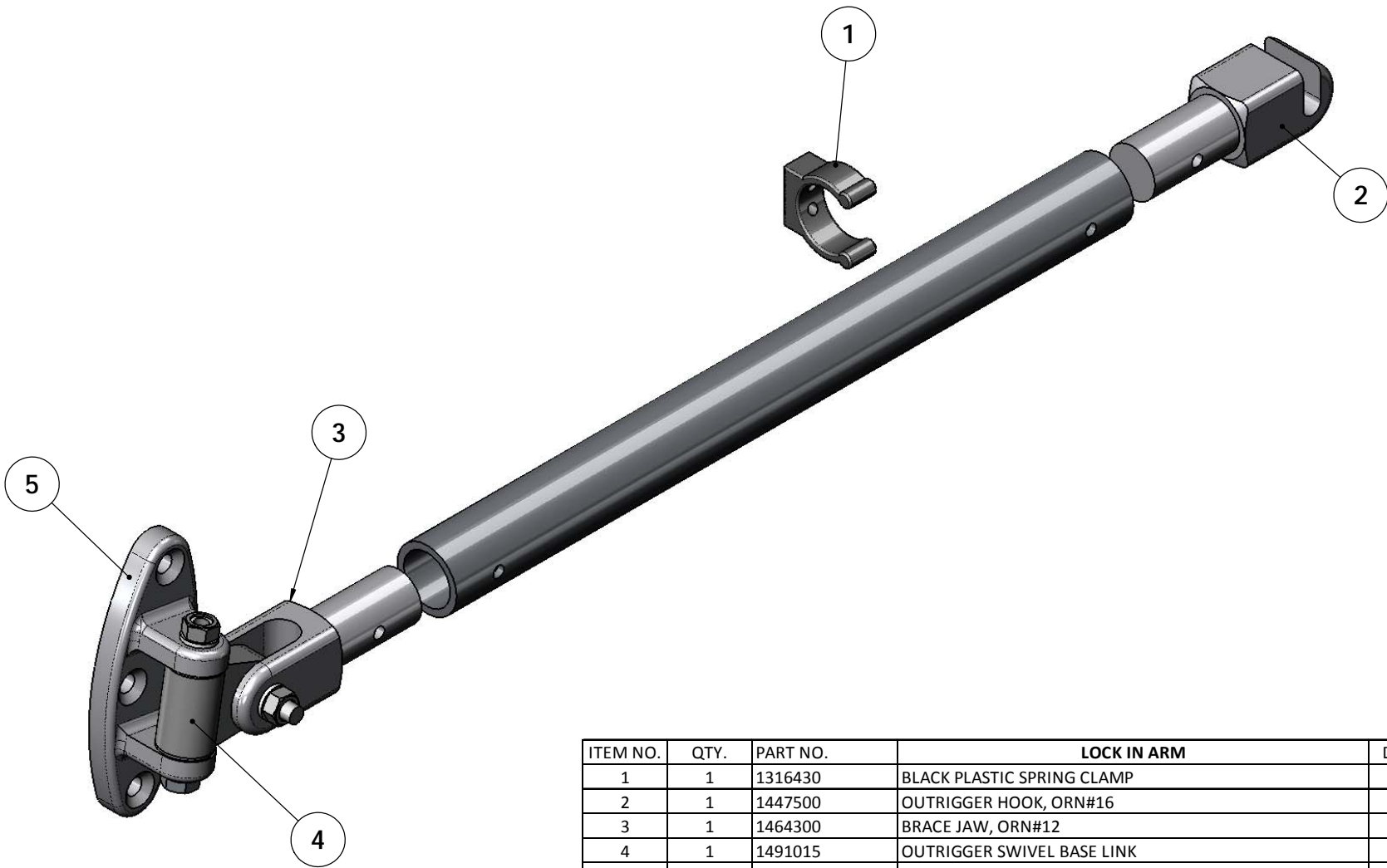


REVISIONS				
ZONE	REV	DESCRIPTION	DATE	APPROVED



ITEM NO.	QTY.	PART NO.	LOCK IN ARM	DWG. NUMBER
1	1	1316430	BLACK PLASTIC SPRING CLAMP	N/A
2	1	1447500	OUTRIGGER HOOK, ORN#16	15182
3	1	1464300	BRACE JAW, ORN#12	15172
4	1	1491015	OUTRIGGER SWIVEL BASE LINK	14701
5	1	1515300	BASE PAD, ORN#11	19552

PROPRIETARY AND CONFIDENTIAL
 THE INFORMATION CONTAINED IN THIS
 DRAWING IS THE SOLE PROPERTY OF
 PIPEWELDERS MARINE INC. ANY
 REPRODUCTION IN PART OR AS A WHOLE
 WITHOUT THE WRITTEN PERMISSION OF
 PIPEWELDERS MARINE INC. IS
 PROHIBITED.

UNLESS OTHERWISE SPECIFIED:		DATE	NAME	PIPEWELDERS MARINE INC. FORT LAUDERDALE FL USA
DIMENSIONS ARE IN INCHES			BA	
TOLERANCES:		DRAWN		ARM OR LOCK
FRACTIONAL: 1/64		CHECKED		
ANGULAR: MACH #0.2 BEND #0.5		ENG APPR		
TWO PLACE DECIMAL: #0.010		MFG APPR		
THREE PLACE DECIMAL: #0.005		Q.A.		PART NO:
INTERPRET GEOMETRIC TOLERANCING PER		1158100		SIZE DWG. NO
MATERIAL		FINISH		C 1158100
NEXT ASSY		USED ON		REV
DO NOT SCALE DRAWING		SCALE: 1:1		A
		WEIGHT:		SHEET 1 OF 1