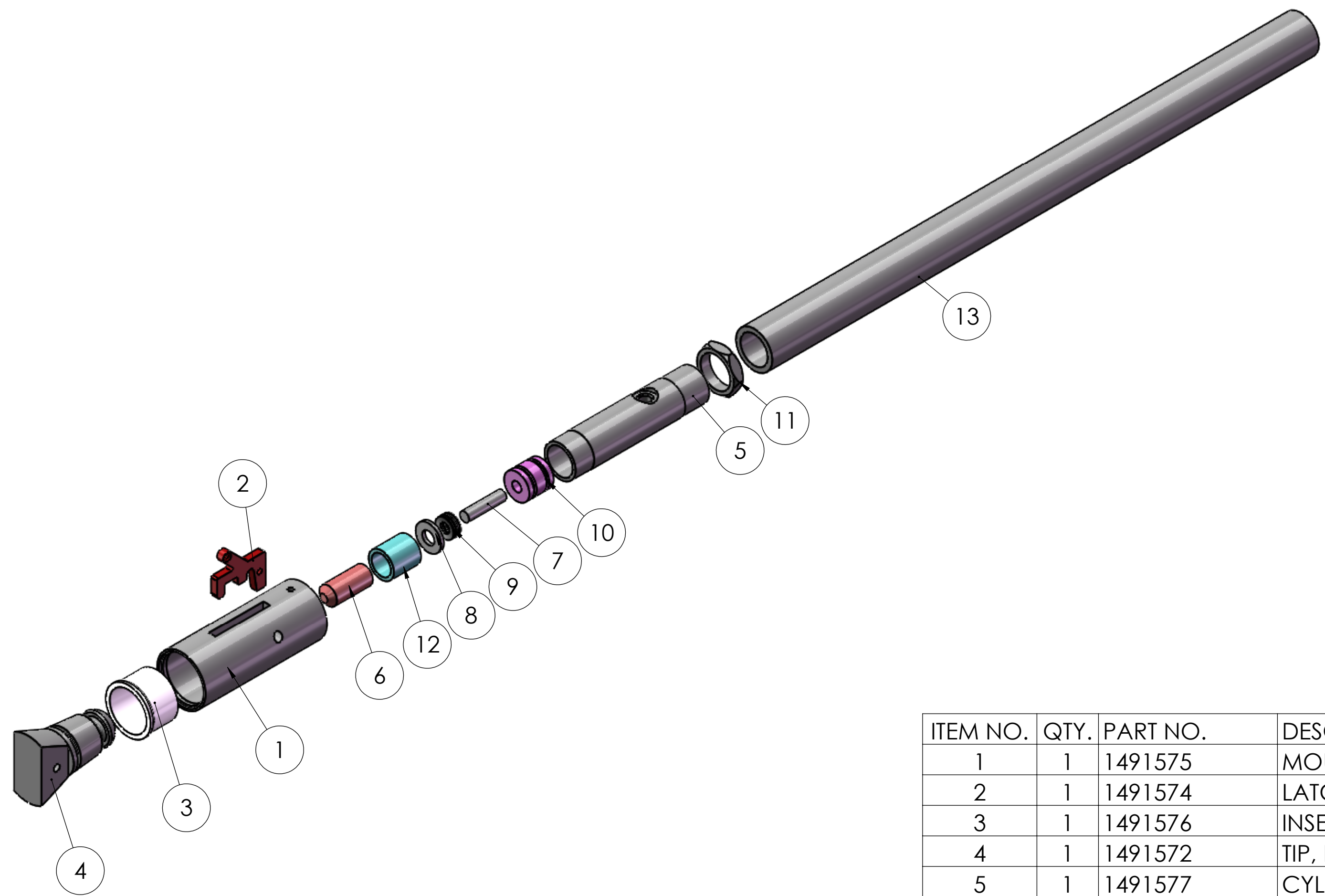


2		1		
ZONE	REV.	DESCRIPTION	DATE	APPROVED
-	-		-	-



ITEM NO.	QTY.	PART NO.	DESCRIPTION	DWG NUMBER
1	1	1491575	MOUNT, BODY, ROUND	20041
2	1	1491574	LATCH, AUTOLOCK	20051
3	1	1491576	INSERT, THREADED	14151
4	1	1491572	TIP, HOLDING	20061
5	1	1491577	CYLINDER TUBE	20111
6	1	1491578	PLUNGER, DELRIN	20121
7	1	1556240	PIN, PUSH, LOCK AUTO	14201
8	1	1956050	WASHER, STOP	14191
9	6	1723065	SPRING-DISC	
10	1	1589066	PISTON, LOCK	14131
11	1	1491573	NUT, LOCK, ALUM	20131
12	1	1491571	GUIDE, ALUM	20141
13	1	1915440	TUBE-BASE	1915440

PROPRIETARY AND CONFIDENTIAL
 THE INFORMATION CONTAINED IN THIS DRAWING IS THE SOLE PROPERTY OF PIPEWELDERS MARINE, INC.. ANY REPRODUCTION IN PART OR AS A WHOLE WITHOUT THE WRITTEN PERMISSION OF PIPEWELDERS MARINE, INC IS PROHIBITED.

UNLESS OTHERWISE SPECIFIED:		NAME	DATE
DIMENSIONS ARE IN INCHES		DRAWN	BA 1-7-20
TOLERANCES:		CHECKED	- -
FRACTIONAL ±1/64		ENG APPR.	- -
ANGULAR: MACH ±1/2		MFG APPR.	- -
TWO PLACE DECIMAL ±.010		Q.A.	- -
THREE PLACE DECIMAL ±.005		PART NUMBER:	
INTERPRET GEOMETRIC TOLERANCING PER:		1491590	
MATERIAL			
FINISH			
DO NOT SCALE DRAWING			

PipeWelders Marine, Inc
 2965 State Rd 84, Ft Lauderdale, FL 3312

TITLE: **AUTOLOCK, ROUND**

SIZE DWG. NO. REV
C 20031 C

SCALE: 1:2 WEIGHT: - SHEET 1 OF 1