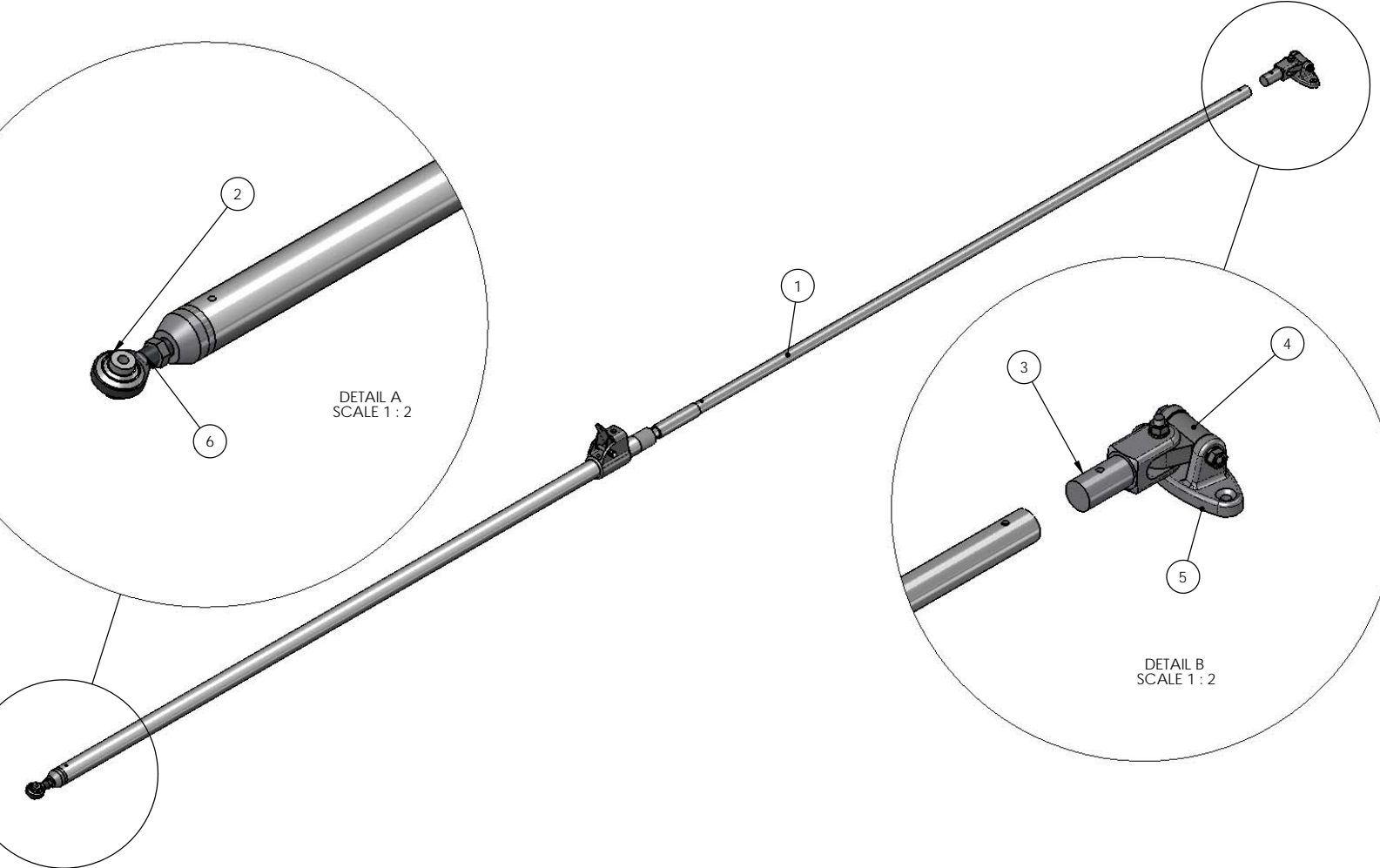
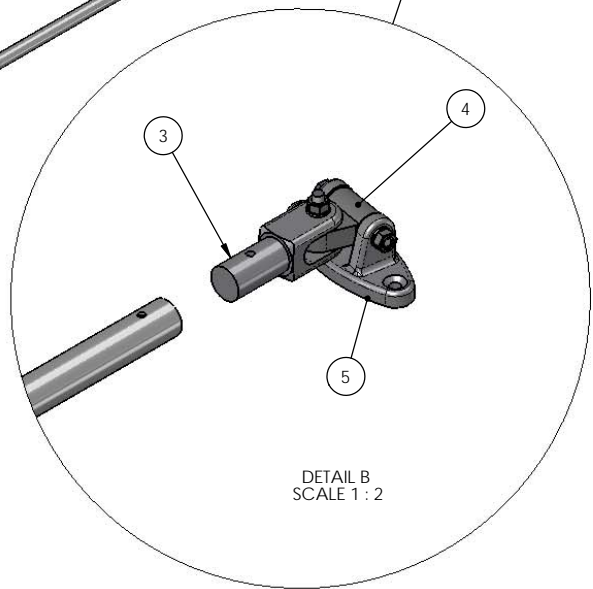
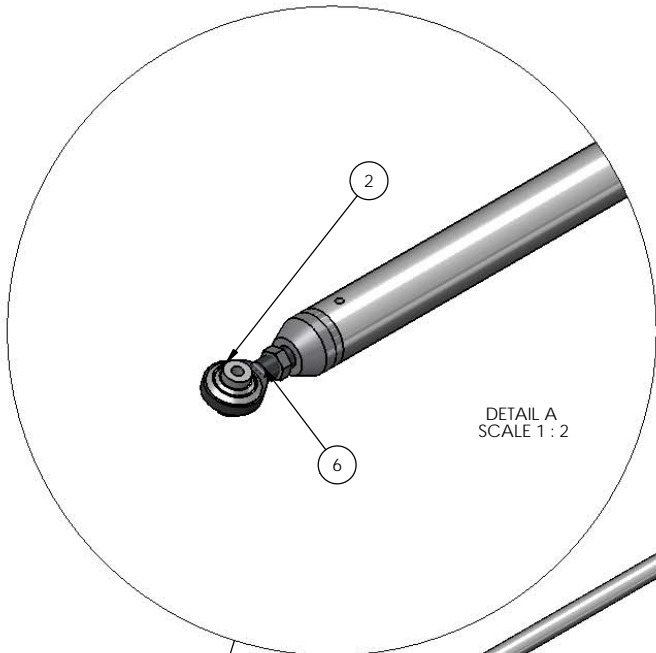


REVISIONS				
ZONE	REV.	DESCRIPTION	DATE	APPROVED



ITEM NO.	QTY.	PART NO.	TELESCOPING ARM	DWG. NUMBER
1	1	1158690	OUTRIGGER TELESCOPING ARM, LOCK AND TUBES ASSEM.	N/A
2	1	1388641	ROD END BALL JOINT 3/8"	N/A
3	1	1464309	TELESCOPING ARM BRACE JAW, ORN#12T	15372
4	1	1491015	OUTRIGGER SWIVEL BASE LINK	14701
5	1	1515300	BASE PAD, ORN#11	19552
6	1	1556210	HINGE PIN BIMINI FOLDING	P1556210

PROPRIETARY AND CONFIDENTIAL
 THE INFORMATION CONTAINED IN THIS DRAWING IS THE SOLE PROPERTY OF PIPEWELDERS MARINE INC. ANY REPRODUCTION IN PART OR AS A WHOLE WITHOUT THE WRITTEN PERMISSION OF PIPEWELDERS MARINE INC. IS PROHIBITED.

UNLESS OTHERWISE SPECIFIED:		DATE	NAME	PIPEWELDERS MARINE INC. FORT LAUDERDALE FL USA	
DIMENSIONS ARE IN INCHES		DRAWN	BA	TELE-LOCK ASSY OUTRIGGER	
TOLERANCES:		CHECKED			
FRACTIONAL: 1/64		ENG APPR			
ANGULAR: MATCH #2 BEND #0.5		MFG APPR			
TWO PLACE DECIMAL: #0.010		Q.A.		PART NO:	SIZE DWG. NO.
THREE PLACE DECIMAL: #0.005		FINISH	--	1158690	C 1158690
INTERPRET GEOMETRIC TOLERANCING PER		APPLICATION	DO NOT SCALE DRAWING	SCALE: 1:1	WEIGHT:
MATERIAL					SHEET 1 OF 1
NEXT ASSY		USED ON			