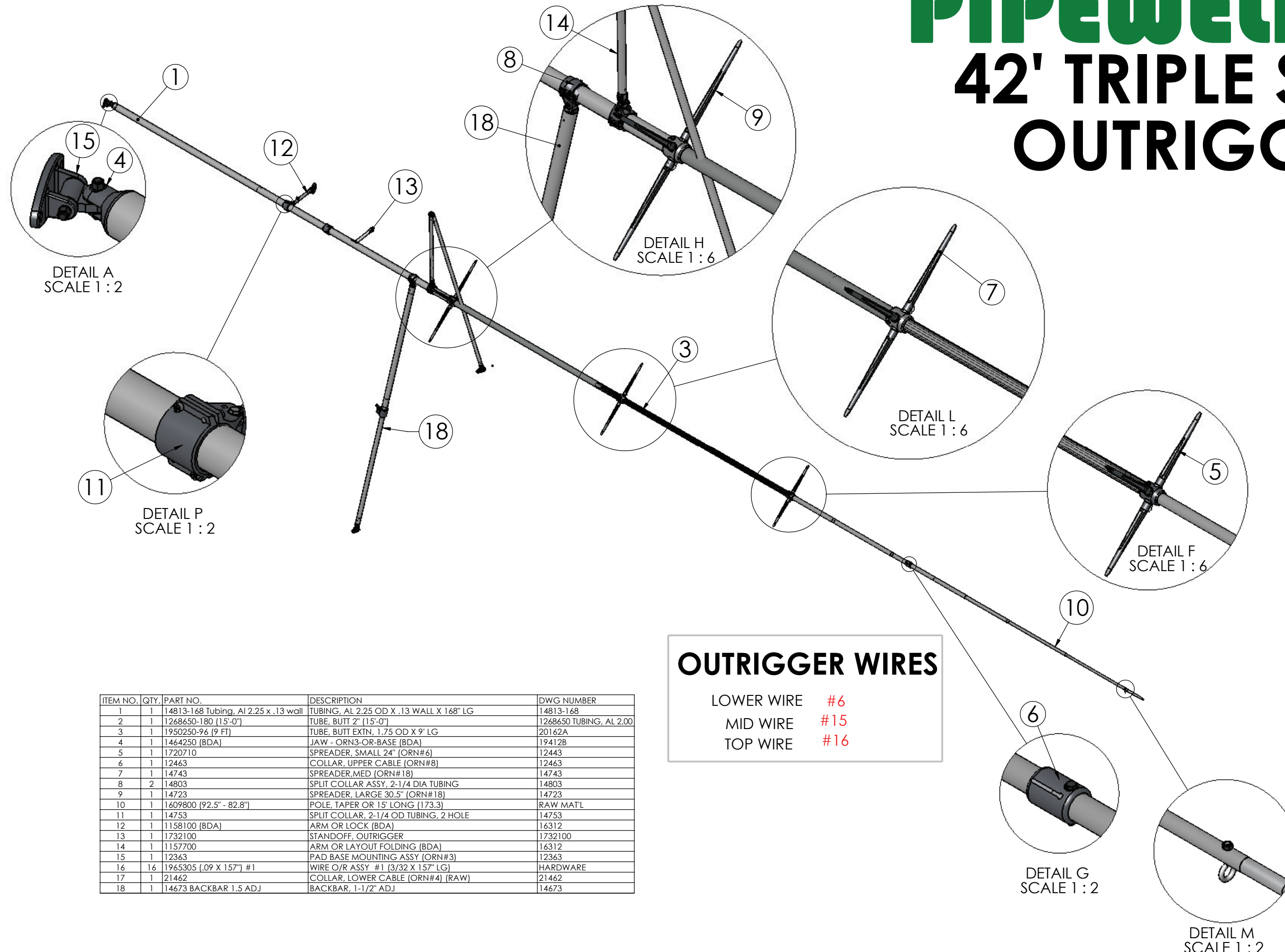


PIPEWELDERS

42' TRIPLE SUPER OUTRIGGER



OUTRIGGER WIRES

LOWER WIRE #6
 MID WIRE #15
 TOP WIRE #16

ITEM NO.	QTY.	PART NO.	DESCRIPTION	DWG NUMBER
1	1	14813-168 Tubing, Al 2.25 x .13 wall	TUBING, AL 2.25 OD X .13 WALL X 168" LG	14813-168
2	1	1268650-180 (15'-0")	TUBE, BUTT 2" (15'-0")	1268650 TUBING, AL 2.00
3	1	1950250-96 (9 FT)	TUBE, BUTT EXTN, 1.75 OD X 9" LG	20162A
4	1	1464250 (BDA)	JAW - ORN3-OR-BASE (BDA)	19412B
5	1	1720710	SPREADER, SMALL 24" (ORN#6)	12443
6	1	12463	COLLAR, UPPER CABLE (ORN#8)	12463
7	1	14743	SPREADER, MED (ORN#18)	14743
8	2	14803	SPLIT COLLAR ASSY, 2-1/4 DIA TUBING	14803
9	1	14723	SPREADER, LARGE 30.5" (ORN#18)	14723
10	1	1609800 (92.5" - 82.8")	POLE, TAPER OR 15' LONG (173.3)	RAW MAT'L
11	1	14753	SPLIT COLLAR, 2-1/4 OD TUBING, 2 HOLE	14753
12	1	1158100 (BDA)	ARM OR LOCK (BDA)	16312
13	1	1732100	STANDOFF, OUTRIGGER	1732100
14	1	1157700	ARM OR LAYOUT FOLDING (BDA)	16312
15	1	12363	PAD BASE MOUNTING ASSY (ORN#3)	12363
16	16	1965305 (.09 X 157") #1	WIRE O/R ASSY #1 (3/32 X 157" LG)	HARDWARE
17	1	21462	COLLAR, LOWER CABLE (ORN#4) (RAW)	21462
18	1	14673 BACKBAR 1.5 ADJ	BACKBAR, 1-1/2" ADJ	14673