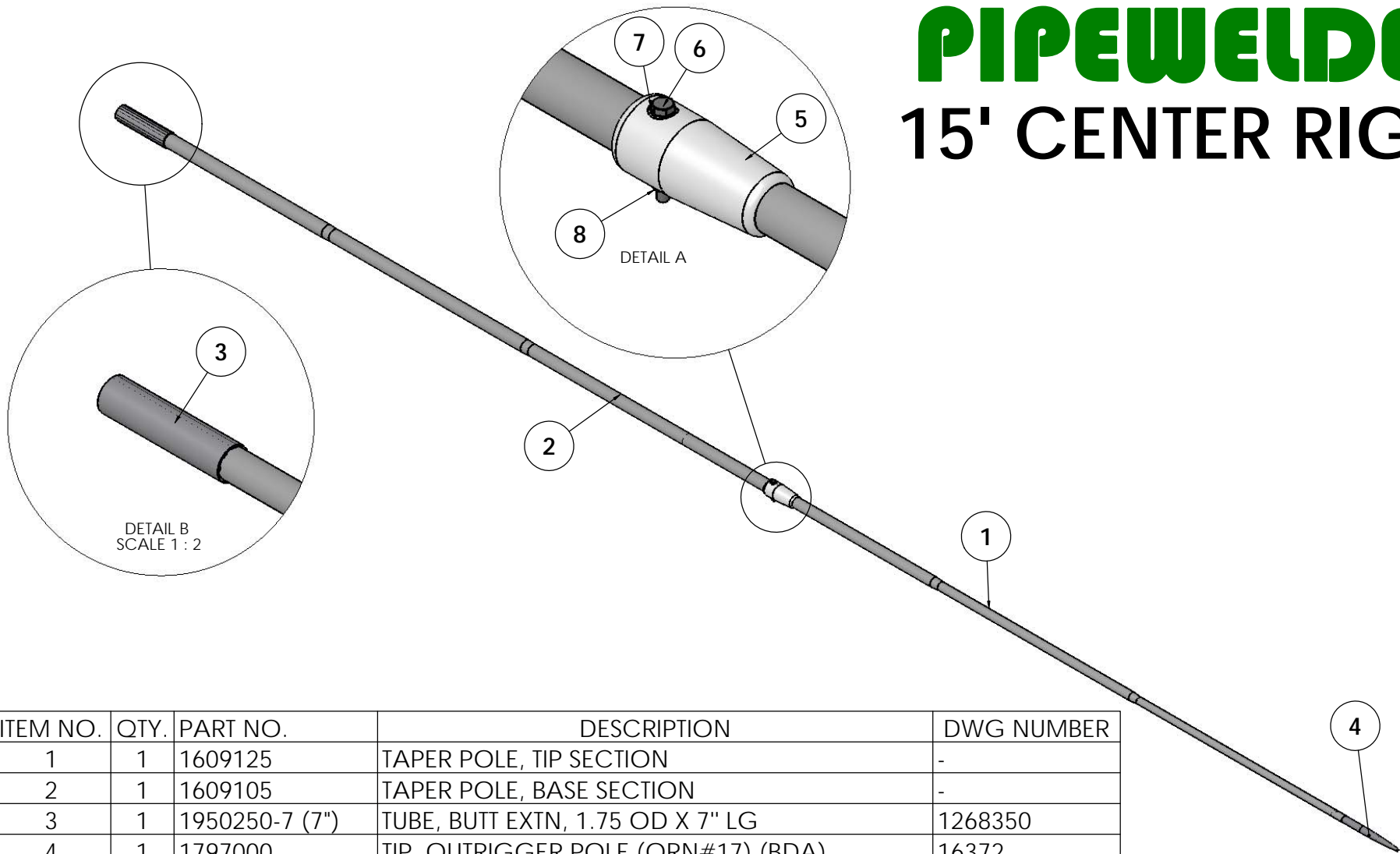


PIPEWELDERS

15' CENTER RIGGER



ITEM NO.	QTY.	PART NO.	DESCRIPTION	DWG NUMBER
1	1	1609125	TAPER POLE, TIP SECTION	-
2	1	1609105	TAPER POLE, BASE SECTION	-
3	1	1950250-7 (7")	TUBE, BUTT EXTN, 1.75 OD X 7" LG	1268350
4	1	1797000	TIP, OUTRIGGER POLE (ORN#17) (BDA)	16372
5	1	-	COUPLING, TAPER PIPE	13533A
6	2	171450020	BUSHING, SLEEVE, FLANGED, DELRIN 1/4 OD	12213
7	1	#.25-20 x 2.250	BOLT, HEX HD SS 18-8 (1/4-20 X 2-1/4)	
8	1	140757822	NUT, SELF-LOCKING, SS (1/4-20)	